

Focus 30W

FOCUS 30W 4000K 24° Black Ø80mm

Cod: **MTK0127**



IP20
Protected from solid bodies larger than 12 mm



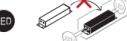
II
Protection class II



CRI >90
Colour rendering index >90



ReeR warranty
ReeR guarantees the product for a time duration of 3 years



Technical description

Product code: MTK0127 | Category: Indoor luminaires | Model: Focus 30W | Product description: FOCUS 30W 4000K 24° Black Ø80mm | Source type: COB | Color temperature (CCT): 4000K | Color render index (CRI): > 90 | MacAdam (SDCM): < 4 | Lumen output (lm): 3000 | Beam angle: 24° | Photobiological risk: RG1 (low risk) | LED Lifetime: 30.000 h | Diameter (mm): 80 | Height (mm): 268 | Weight (g): 670 | IP rating: IP 20 | Finishing colour: Black RAL9017 | Type of finishing: Polyester powder coated | Body material: Die-cast aluminum | Diffuser material: PMMA (polymethyl methacrylate) | Maximal working temperature: -25° C | Minimal working temperature: +55° C | Nominal power (W): 30 | Power factor: > 0.9 | Power supply: 220/240V 50/60Hz | Ballast: Integrated | Insulation class: II | Dimmable: No |

Lighting data

Source type	COB	Beam angle	24°
Color temperature (CCT)	4000K	Photobiological risk	RG1 (low risk)
Color render index (CRI)	> 90	LED Lifetime	30.000 h
MacAdam (SDCM)	< 4		
Lumen output (lm)	3000		

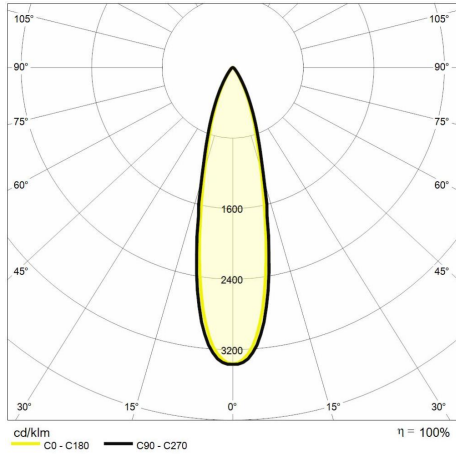
Mechanical data

Diameter (mm)	80	Finishing colour	Black RAL9017
Height (mm)	268	Type of finishing	Polyester powder coated
Weight (g)	670	Body material	Die-cast aluminum
IP rating	IP 20	Diffuser material	PMMA (polymethyl methacrylate)

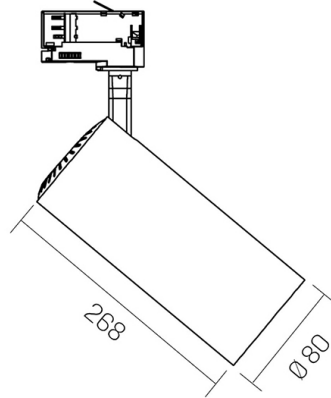
Electrical data

Nominal power (W)	30	Insulation class	II
Power factor	> 0.9	Dimmable	No
Power supply	220/240V 50/60Hz		
Ballast	Integrated		

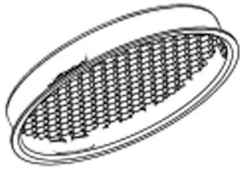
Photometry



Technical drawing



Accessories



Focus 30W accessories

HONEYCOMB FOCUS 30W Ø80mm
black
Cod: MTK0138



Focus 30W accessories

FOCUS 30W Ø80mm black JOINT
Cod: MTK0140



Focus 30W accessories

HONEYCOMB JOINT FOCUS 30W
Ø80mm black
Cod: MTK0142



Focus 30W accessories

OVAL JOINT FOCUS 30W Ø80mm black
Cod: MTK0144