



Focus 20W

FOCUS 20W 4000K 24° White Ø60m

Cod: **MTK0117**



IP20
Protected from solid bodies larger than 12 mm



II
Protection class II



CRI >90
Colour rendering index >90



ReeR warranty
ReeR guarantees the product for a time duration of 3 years



Technical description

Product code: MTK0117 | Category: Indoor luminaires | Model: Focus 20W | Product description: FOCUS 20W 4000K 24° White Ø60m | Source type: COB | Color temperature (CCT): 4000K | Color render index (CRI): > 90 | MacAdam (SDCM): < 4 | Lumen output (lm): 1800 | Beam angle: 24° | Photobiological risk: RG1 (low risk) | LED Lifetime: 30.000 h | Diameter (mm): 60 | Height (mm): 228 | Weight (g): 400 | IP rating: IP 20 | Finishing colour: White RAL9003 | Type of finishing: Polyester powder coated | Body material: Die-cast aluminum | Diffuser material: PMMA (polymethyl methacrylate) | Maximal working temperature: -25° C | Minimal working temperature: +55° C | Nominal power (W): 20 | Power factor: > 0.9 | Power supply: 220/240V 50/60Hz | Ballast: Integrated | Insulation class: II | Dimmable: No |

Lighting data

| | | | |
|--------------------------|-------|----------------------|----------------|
| Source type | COB | Beam angle | 24° |
| Color temperature (CCT) | 4000K | Photobiological risk | RG1 (low risk) |
| Color render index (CRI) | > 90 | LED Lifetime | 30.000 h |
| MacAdam (SDCM) | < 4 | | |
| Lumen output (lm) | 1800 | | |

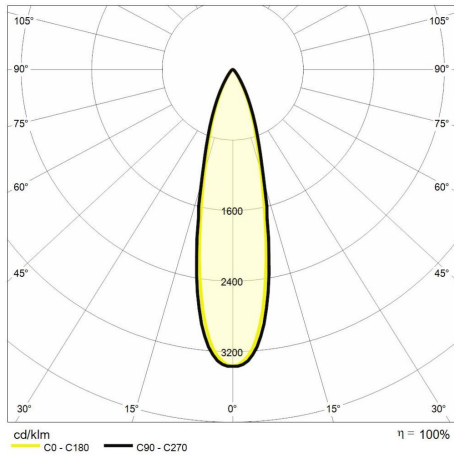
Mechanical data

| | | | |
|---------------|-------|-------------------|--------------------------------|
| Diameter (mm) | 60 | Finishing colour | White RAL9003 |
| Height (mm) | 228 | Type of finishing | Polyester powder coated |
| Weight (g) | 400 | Body material | Die-cast aluminum |
| IP rating | IP 20 | Diffuser material | PMMA (polymethyl methacrylate) |

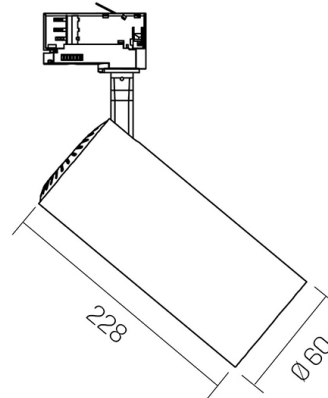
Electrical data

| | | | |
|-------------------|------------------|------------------|----|
| Nominal power (W) | 20 | Insulation class | II |
| Power factor | > 0.9 | Dimmable | No |
| Power supply | 220/240V 50/60Hz | | |
| Ballast | Integrated | | |

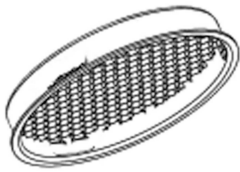
Photometry



Technical drawing

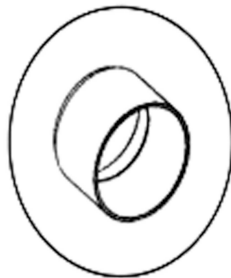


Accessories



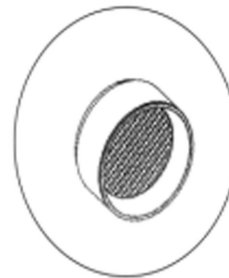
Focus 20W accessories

HONEYCOMB FOCUS 20W Ø60mm
white
Cod: MTK0129



Focus 20W accessories

FOCUS JOINT 20W Ø60mm white
Cod: MTK0131



Focus 20W accessories

HONEYCOMB JOINT FOCUS 20W
Ø60mm white
Cod: MTK0133



Focus 20W accessories

OVAL JOINT FOCUS 20W Ø60mm white
Cod: MTK0135