



Altissimo 35W

ALTISSIMO 35W 3000K 30° Adjustable
White

Cod: **MIC0052**



IP20
Protected from solid bodies larger than 12 mm



II
Protection class II



CRI >90
Colour rendering index >90



ReeR warranty
ReeR guarantees the product for a time duration of 3 years



Technical description

Product code: MIC0052 | Category: Indoor luminaires | Model: Altissimo 35W | Product description: ALTISSIMO 35W 3000K 30° Adjustable White | Color temperature (CCT): 3000K | Color render index (CRI): > 90 | MacAdam (SDCM): < 3 | Lumen output (lm): 3333 | Beam angle: 30° | Photobiological risk: RG1 (low risk) | LED Lifetime: 30.000 h | Diameter (mm): 135 | Height (mm): 138 | Recess hole (mm): Ø 120 | Weight (g): 800 | IP rating: IP 20 | Finishing colour: White RAL9003 | Type of finishing: Polyester powder coated | Body material: Aluminum | Diffuser material: PMMA (polymethyl methacrylate) | Maximal working temperature: -25° C | Minimal working temperature: +35° C | Nominal power (W): 35 | Power factor: >0,9 | Power supply: 220/240V 50/60Hz | Ballast: Included | Insulation class: II | Dimmable: No |

Lighting data

Color temperature (CCT)	3000K
-------------------------	-------

Color render index (CRI)	> 90
--------------------------	------

MacAdam (SDCM)	< 3
----------------	-----

Lumen output (lm)	3333
-------------------	------

Beam angle	30°
------------	-----

Photobiological risk	RG1 (low risk)
----------------------	----------------

LED Lifetime	30.000 h
--------------	----------

Mechanical data

Diameter (mm)	135
---------------	-----

Height (mm)	138
-------------	-----

Recess hole (mm)	Ø 120
------------------	-------

Weight (g)	800
------------	-----

IP rating	IP 20
-----------	-------

Finishing colour	White RAL9003
------------------	---------------

Type of finishing	Polyester powder coated
-------------------	-------------------------

Body material	Aluminum
---------------	----------

Diffuser material	PMMA (polymethyl methacrylate)
-------------------	--------------------------------

Electrical data

Nominal power (W)	3,5
-------------------	-----

Power factor	0,9
--------------	-----

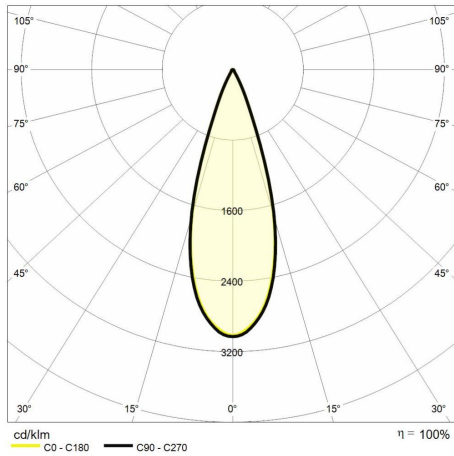
Power supply	220/240V 50/60Hz
--------------	------------------

Ballast	Included
---------	----------

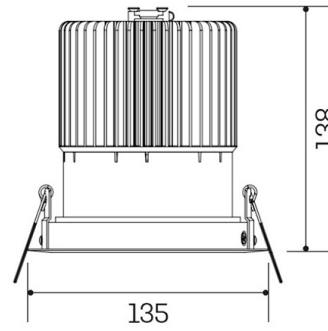
Insulation class	II
------------------	----

Dimmable	No
----------	----

Photometry



Technical drawing



Ø 120