

Acqueo

ACQUEO 3,15W 40 4000K IP54 White

Cod: MIC0010



IP54
Protected against dust and
splashes



III
Protection class III



CRI >80
Colour rendering index >80



ReeR warranty
ReeR guarantees the product for a
time duration of 3 years



Technical description

Product code: MIC0010 | Category: Indoor luminaires | Model: Acqueo | Product description: ACQUEO 3,15W 40 4000K IP54 White | Source type: COB | Color temperature (CCT): 4000K | Color render index (CRI): > 80 | MacAdam (SDCM): < 3 | Lumen output (lm): 330 | Beam angle: 40° | Photobiological risk: RG1 (low risk) | LED Lifetime: 50.000 h | Diameter (mm): 67 | Height (mm): 18,1 | Recess hole (mm): Ø 56 | Weight (g): 50 | IP rating: IP 54 | Finishing colour: White | Type of finishing: Polyester powder coated | Body material: Steel | Diffuser material: PC (polycarbonate) | Maximal working temperature: +0° C | Minimal working temperature: +35° C | Nominal power (W): 3,15 | Power supply: 8,5V 350 mA | Ballast: Not included | Insulation class: III | Dimmable: No |

Lighting data

Source type	COB	Beam angle	40°
Color temperature (CCT)	4000K	Photobiological risk	RG1 (low risk)
Color render index (CRI)	> 80	LED Lifetime	50.000 h
MacAdam (SDCM)	< 3		
Lumen output (lm)	330		

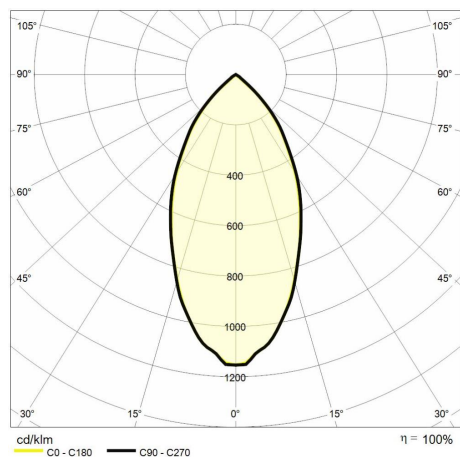
Mechanical data

Diameter (mm)	67	Finishing colour	White
Height (mm)	18.1	Type of finishing	Polyester powder coated
Recess hole (mm)	Ø 56	Body material	Steel
Weight (g)	50	Diffuser material	PC (polycarbonate)
IP rating	IP 54		

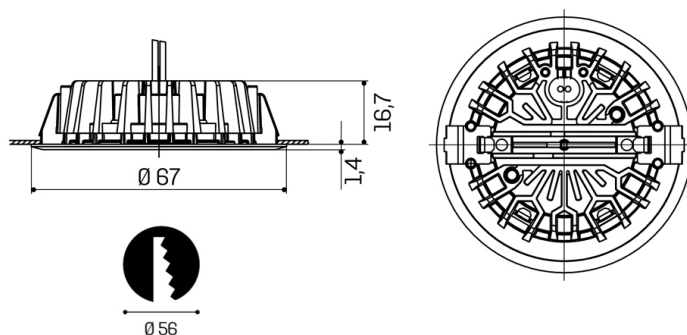
Electrical data

Nominal power (W)	3,15	Dimmable	No
Power supply	8,5V 350 mA		
Ballast	Not included		
Insulation class	III		

Photometry



Technical drawing



Accessories



Caleido power supply

LED POWER SUPPLY 4W 350MA
CONSTANT CURRENT 2-11,5V
Cod: MID0002