

# Acqueo

ACQUEO 3,15W 40 3000K IP54 White

Cod: MIC0009



IP54 Protected against dust and splashes



III Protection class III



CRI >80 Colour rendering index >80



ReeR warranty  
ReeR guarantees the product for a time duration of 3 years



## Technical description

Product code: MIC0009 | Category: Indoor luminaires | Model: Acqueo | Product description: ACQUEO 3,15W 40 3000K IP54 White | Source type: COB | Color temperature (CCT): 3000K | Color render index (CRI): > 80 | MacAdam (SDCM): < 3 | Lumen output (lm): 310 | Beam angle: 40° | Photobiological risk: RG1 (low risk) | LED Lifetime: 50.000 h | Diameter (mm): 67 | Height (mm): 18,1 | Recess hole (mm): Ø 56 | Weight (g): 50 | IP rating: IP 54 | Finishing colour: White | Type of finishing: Polyester powder coated | Body material: Steel | Diffuser material: PC (polycarbonate) | Maximal working temperature: +0° C | Minimal working temperature: +35° C | Nominal power (W): 3,15 | Power supply: 8,5V 350 mA | Ballast: Not included | Insulation class: III | Dimmable: No |

## Lighting data

Source type	COB	Beam angle	40°
Color temperature (CCT)	3000K	Photobiological risk	RG1 (low risk)
Color render index (CRI)	> 80	LED Lifetime	50.000 h
MacAdam (SDCM)	< 3		
Lumen output (lm)	310		

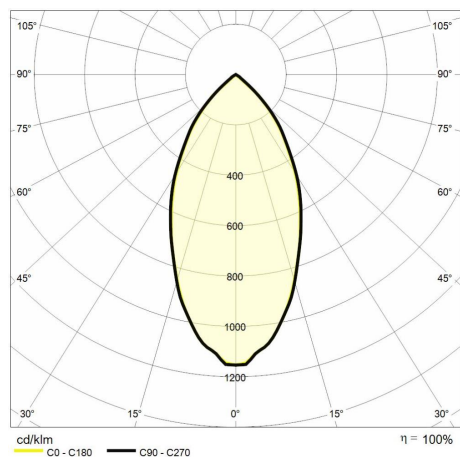
## Mechanical data

Diameter (mm)	67	Finishing colour	White
Height (mm)	18.1	Type of finishing	Polyester powder coated
Recess hole (mm)	Ø 56	Body material	Steel
Weight (g)	50	Diffuser material	PC (polycarbonate)
IP rating	IP 54		

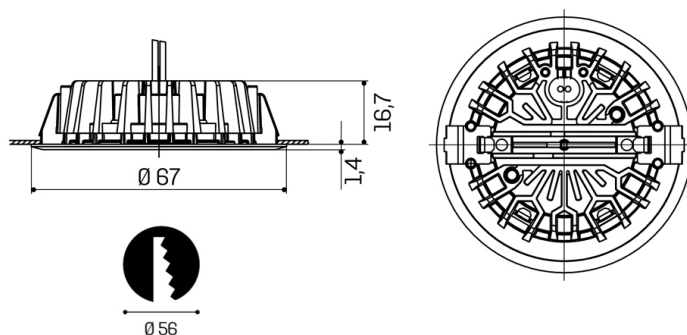
## Electrical data

Nominal power (W)	3,15	Dimmable	No
Power supply	8,5V 350 mA		
Ballast	Not included		
Insulation class	III		

## Photometry



## Technical drawing



## Accessories



### Caleido power supply

LED POWER SUPPLY 4W 350MA  
CONSTANT CURRENT 2-11,5V  
Cod: MID0002