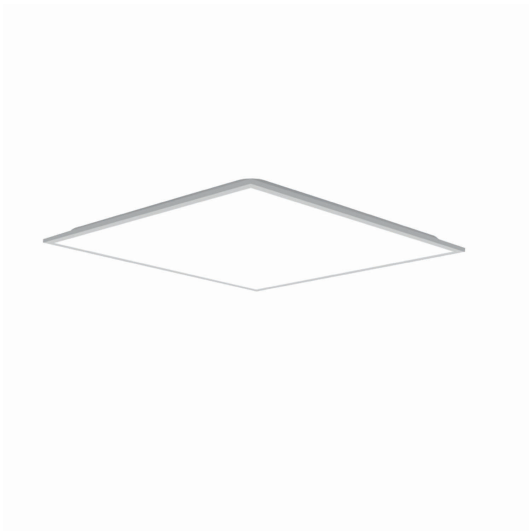


Backlit LED 600x600

BACKLIT PANEL LED 600x600mm 40W
IP20 UGR19 4000K CRI90

Cod: **6361178**



IP20
Protected from solid bodies larger than 12 mm



II
Protection class II



CRI >90
Colour rendering index >90



UGR <19
Meets the parameters of the UNI EN 12464-1 standard on workplace lighting



ReeR warranty
ReeR guarantees the product for a time duration of 3 years



Technical description

Product code: 6361178 | Category: Indoor luminaires | Model: Backlit LED 600x600 | Product description: BACKLIT PANEL LED 600x600mm 40W IP20 UGR19 4000K CRI90 | Source type: SMD 2835 | Color temperature (CCT): 4000K | Color render index (CRI): > 90 | MacAdam (SDCM): < 6 | Lumen output (lm): 4000 | Beam angle: 120° | Photobiological risk: RG0 (exempt) | LED Lifetime: 15.000 h | Energy efficiency class: This contains a light source of energy efficiency class (EU2019/2015): F | Width (mm): 595 | Length (mm): 595 | Height (mm): 33 | IP rating: IP 20 | Finishing colour: White | Body material: Aluminum | Diffuser material: PS (polystyrene) | Maximal working temperature: -10° C | Minimal working temperature: +40° C | Nominal power (W): 40 | Power factor: > 0,9 | Power supply: 220-240V 50/60Hz | Insulation class: II | Dimmable: No |

Lighting data

Source type	SMD 2835	Photobiological risk	RG0 (exempt)
Color temperature (CCT)	4000K	LED Lifetime	15.000 h
Color render index (CRI)	> 90	Energy efficiency class	This contains a light source of energy efficiency class (EU2019/2015): F
MacAdam (SDCM)	< 6		
Lumen output (lm)	4000		
Beam angle	120°		

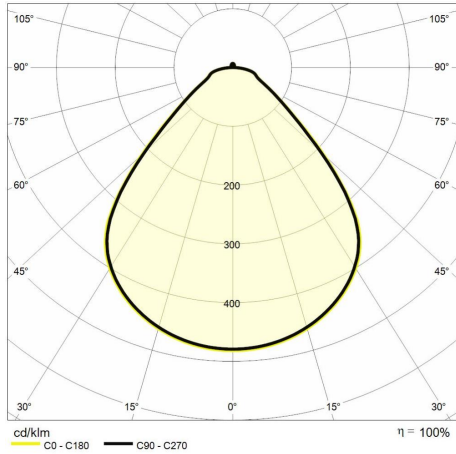
Mechanical data

Width (mm)	595	Finishing colour	White
Length (mm)	595	Body material	Aluminum
Height (mm)	33	Diffuser material	PS (polystyrene)
IP rating	IP 20		

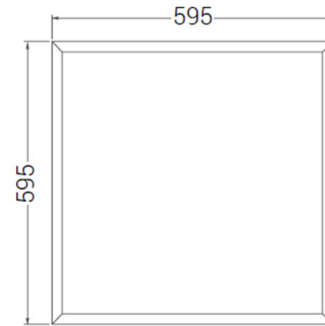
Electrical data

Nominal power (W)	40	Dimmable	No
Power factor	0,9		
Power supply	220/240V 50/60Hz		
Insulation class	II		

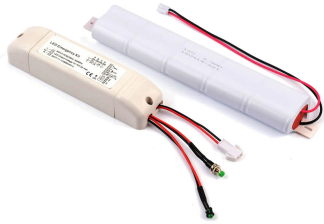
Photometry



Technical drawing



Accessories



Backlit and LED panel emergency kit

EMERGENCY KIT for LED PANEL

Cod: 6361127



Backlit and LED panel power supply

POWER SUPPLY 40W dimmable
DALI/1-10V/PUSH

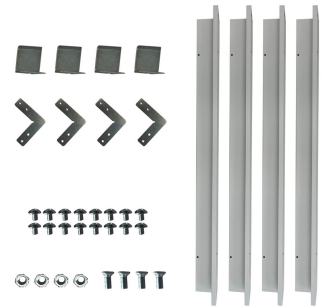
Cod: 6360993



Backlit and LED panel power supply

POWER SUPPLY 9-42V 700-1050mA
40W DALI/PUSH

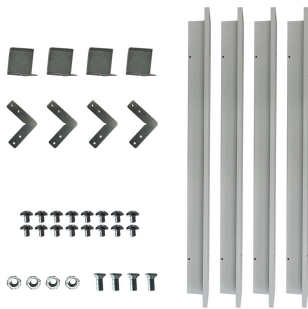
Cod: 6360994



Backlit and LED panel mounting kit

CONTINUOUS MODULE FALSE CEILING
MOUNTING KIT

Cod: 6360507



Backlit and LED panel mounting kit

CONTINUOUS MODULE FLUSH
MOUNTING BRACKET KIT

Cod: 6360747



Backlit and LED panel mounting kit

CEILING MOUNTING KIT for
600x600mm PANEL

Cod: 6361179



Backlit and LED panel mounting kit

SUSPENSION KIT for PANEL
600x600mm

Cod: 6361180