

# LED panel 600x600

PANEL LED 595x595mm 40W 230V IP20  
4000K

Cod: **6360767**



IP20  
Protected from solid bodies larger than 12 mm



II  
Protection class II



CRI >80  
Colour rendering index >80



UGR <19  
Meets the parameters of the UNI EN 12464-1 standard on workplace lighting



ReeR warranty  
ReeR guarantees the product for a time duration of 3 years



## Technical description

Product code: 6360767 | Category: Indoor luminaires | Model: LED panel 600x600 | Product description: PANEL LED 595x595mm 40W 230V IP20 4000K | Source type: SMD 4014 | Color temperature (CCT): 3000 / 4000 / 6000K | Color render index (CRI): > 80 | MacAdam (SDCM): < 6 | Lumen output (lm): 3000 | Beam angle: 110° | Photobiological risk: RG0 (exempt) | LED Lifetime: 25.000 h | Energy efficiency class: This contains a light source of energy efficiency class (EU2019/2015): F | Width (mm): 591 | Length (mm): 591 | Height (mm): 10 | Weight (g): 2000 | IP rating: IP 20 | Finishing colour: White RAL9003 | Body material: Aluminum | Diffuser material: PS (polystyrene) | Maximal working temperature: -10° C | Minimal working temperature: +40° C | Nominal power (W): 40 | Power factor: > 0,9 | Power supply: 230V 50/60Hz | Ballast: Included | Insulation class: II | Dimmable: No |

## Lighting data

Source type	SMD 4014	Photobiological risk	RG0 (exempt)
Color temperature (CCT)	3000 / 4000 / 6000K	LED Lifetime	25.000 h
Color render index (CRI)	> 80	Energy efficiency class	This contains a light source of energy efficiency class (EU2019/2015): F
MacAdam (SDCM)	< 6		
Lumen output (lm)	3000		
Beam angle	110°		

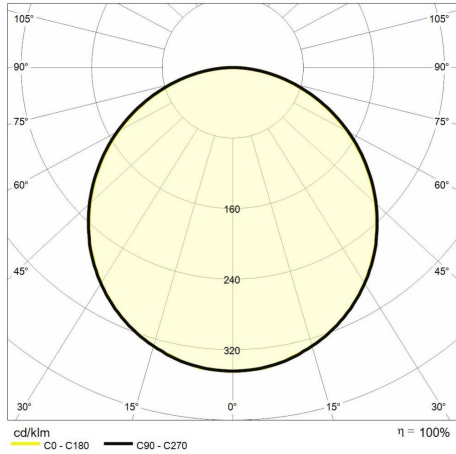
## Mechanical data

Width (mm)	591	IP rating	IP 20
Length (mm)	591	Finishing colour	White RAL9003
Height (mm)	10	Body material	Aluminum
Weight (g)	2000	Diffuser material	PS (polystyrene)

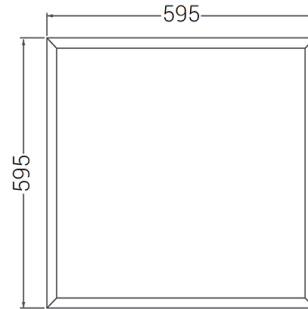
## Electrical data

Nominal power (W)	40	Insulation class	II
Power factor	0,9	Dimmable	No
Power supply	230V 50/60Hz		
Ballast	Included		

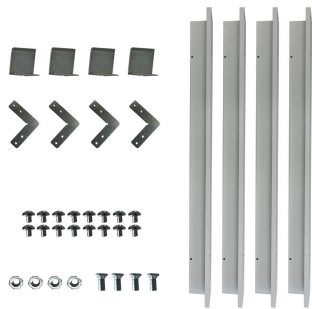
**Photometry**



**Technical drawing**



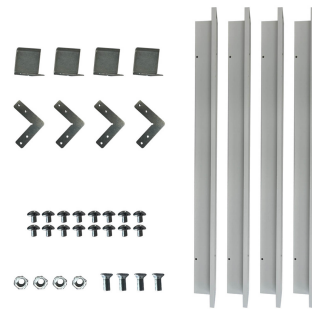
**Accessories**



**Backlit and LED panel mounting kit**  
CONTINUOUS MODULE FALSE CEILING MOUNTING KIT  
Cod: 6360507



**Backlit and LED panel mounting kit**  
CEILING MOUNTING KIT for PANEL code 6360744/6360748  
Cod: 6360745



**Backlit and LED panel mounting kit**  
CONTINUOUS MODULE FLUSH MOUNTING BRACKET KIT  
Cod: 6360747



**Backlit and LED panel mounting kit**  
CEILING MOUNTING BRACKET KIT  
Cod: 6360764



**Backlit and LED panel mounting kit**  
SUSPENSION MOUNTING KIT for PANEL 6360767  
Cod: 6360770